

EXHAUSTO

Fan Control EBC 10-P/10-E

Use

The EXHAUSTO EBC10-P/10-E Fan Control is used with single heating appliances where modulation is not required. It monitors and creates proper draft and pressure in a chimney system. This is achieved by setting the speed of a fan or power venter. It can be used with EXHAUSTO Models RS, RSV, GSV, RSIB, and RSIF.

The EBC 10 is typically used to control the draft of a gas-fired water heater, boiler, furnace, fireplace, stove, BBQ, or pizza oven.

Description

The EBC10-P integrates a fan speed control and a Proven Draft Switch (PDS) with a stack probe and silicone tubing. The EBC10-E integrates a fan speed control only. An external EXHAUSTO PDS-1 can be connected to this model to provide the same functionality as the EBC10-P.

The control is used to set the speed of a chimney fan or draft inducer to create the mechanical draft needed in the chimney system. It provides proper and accurate draft at the outlet of the heating appliance. The control provides a 10-120V signal to a single phase fan and a 0-10V signal to a Variable Frequency Drive (VFD) for 3-phase fans.

When equipped with an integrated or external PDS, the control features an integrated safety function that prevents the heating appliance from operating in the event of a mechanical or electrical failure. A stack probe, which is inserted into the chimney, is connected to the control via silicone tubing. The control constantly senses the draft in the chimney, and in case of inadequate draft, it will increase the fan speed gradually until the draft set-point is satisfied. If the draft set-point is not satisfied after a period of 12 seconds, the appliance will be shut down. An automatic reset option avoids nuisance lockouts and the need for manual reset.



The control can be used in one of two ways:

- Interlocked with the appliance to post-purge the chimney for 3 minutes after boiler shut-down.

or

- Set to run the fan continuously.

Material

The housing is made of NEMA 1 rated polycarbonate.

Standard Equipment

Control box with integrated fan speed control and relay.

Warranty

2-year factory warranty

Specifications are subject to change without notice.

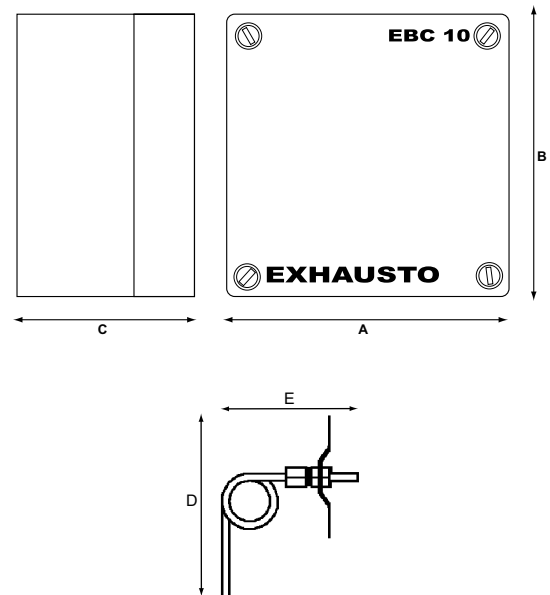
Sequence of Operation

A call for heat from the appliance initiates the fan. Once the chimney fan or power venter has generated enough draft to satisfy the draft set-point, the appliance's gas-valve is released and the heating appliance allowed to operate. When the call for heat is released, the system will turn off. This will close the gas valve and shut down the heating appliance. However, the fan or power venter will operate for up to 3 minutes to remove residual flue gas products in the chimney system.

If proper draft is not maintained (because of wind pressure or other pressure disturbance), the control will gradually increase the speed of the fan until proper draft is achieved. If the increased speed does not provide sufficient draft, the control will automatically shut down the appliance by turning off the gas valve.

Specifications

EBC 10 Control		
Power supply	V	1x120VAC
Amperage	A	6.3
Operating temperature	°F/°C	-4 to 122 / -20 to 50
Control signal	mA	max. 10
Control relay		Max. 120 VAC / 8A
Output	VAC	10-120
	VDC	0-10
Dimensions	A in/mm	7.17 / 182
	B in/mm	7.09 / 180
	C in/mm	4.37 / 111
Weight	lbs/kg	3.0 / 1.5
Chimney Probe		
Dimensions	D in/mm	4.25 / 108
	E in/mm	3.50 / 89



EBC10-P



EBC10-E

