

# METALBESTOS®

## COMPLETE SET OF TYPE “B” GAS VENT INSTALLATION INSTRUCTIONS

Includes:

A15010	RV/QC (Round)
A15013	Adjustable Wye
A15011	Universal Adaptors
A15030	WV (Oval)
A15009	Wall Support Band Assembly

# SELKIRK.

Selkirk, Inc. gas vent parts LISTED and produced under the Factory Inspection and Follow-Up program of Underwriters Laboratories, Inc. carry the LISTING MARK illustrated here.



**CAUTION: WEAR GLOVES WHILE HANDLING METAL PARTS TO AVOID PERSONAL INJURY. SHARP EDGES OR PROJECTIONS CAN CUT YOU.**

## WARNING

Failure to follow the installation instructions could cause FIRE, CARBON MONOXIDE POISONING, OR DEATH. If you are unsure of installation requirements, call the Phone Number listed on the instructions or sizing handbook.

### 1. GAS VENT DESIGNATIONS/JOINT METHOD

These instructions describe installation of the following sizes of Selkirk, Inc. Type B Gas Vent Pipe and associated parts.

Model	Size	Means of Joining	Minimum Airspace Clearance
RV	3 - 8"	Integral "Snap Lock" Coupler	1"
QC	10 - 24"	6 sheet metal screws/joint	1"
QC	26 - 48"	6 sheet metal screws/joint	2"

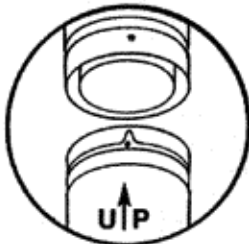


FIG. 1 3" - 8"



FIG. 2 10" - 48"

All joints in Selkirk, Inc. gas vents must be secured using the appropriate method. ("Snap Lock" feature for sizes 3" - 8" (Fig. 1) and sheet metal screws for sizes 10" - 48" (Fig. 2). Snap Lock by lining up the dimples of 2 lengths of Model RV and push together. Lock by twisting the pipe to stagger the dimples. Draft hood connectors must be attached to the appliance outlet with screws. Single wall connectors, if used must be secured to the appliance, to the gas vent, and at all joints with 3 sheet metal screws per joint. Attachment of vent to non-metallic outlets should be per appliance manufacturer recommendations.

**NOTE:** Some local jurisdictions require a supplemental screw(s) at joints to prevent disengagement of the joint. Although not required under the terms of the UL Listing because of the integral couplers, screws are permitted to be installed at the joints in 3" through 8" vent. In such case, the screws should be located approx. 1/4" from overlapped edge and must be maximum 1/4" in length so they do not pierce or deform the inner liner. A new lock-tab feature provides the equivalent of using a screw for this purpose since, once engaged (with finger or thumb until it bends into the groove in the top / outlet end of the adjacent piece), it prevents the pipes from being disengaged unless the tab is pried back out and dimples aligned.

### 2. TYPES OF APPLIANCES AND BUILDINGS

Type B Gas Vents are for venting of Listed (L.P. or natural) gas-burning appliances equipped with draft hoods and other Listed gas appliances specified for use with Type B gas vents. These appliances include (but are not limited to) the following types: furnaces, boilers, water heaters, room heaters, unit heaters, duct furnaces, floor furnaces, and decorative appliances.

DO NOT USE Type B Gas Vent for wall furnaces "Listed" for use with Type BW Gas Vents only, incinerators and appliances Listed for use with chimneys only, combination gas-oil burning appliances, and appliances which may be converted readily to the use of solid or liquid fuels. DO NOT USE Type B Gas Vent for Category II, III, or IV appliances, or for any gas-burning appliance which requires either a pressure-tight or liquid-tight venting system.

All sizes of Selkirk, Inc. Type B Gas Vents may be used in single and multi-story buildings. All Type B Gas Vents may be used for both individual and multiple appliance venting. Selkirk, Inc. Type B Gas Vents are to be installed and used in accordance with the "National Fuel Gas Code", NFPA 54, the "Standard for Chimneys, Fireplace and Venting Systems", NFPA 211, the "International Fuel Gas Code" and/or applicable local/regional codes. Selkirk, Inc. Type B Gas Vent is also suitable for use in existing, otherwise unused and new masonry chimneys to protect the chimney from the damaging effects of moist combustion products from the appliances listed above. NEVER USE Selkirk, Inc. Type B Gas Vent on any appliance that is not listed and approved for venting with Type B gas vent.

# Round Type B Gas Vent Installation Instructions

A NOTICE SHOULD BE POSTED near the point where the Gas Vent is connected to the appliance, with the following wording:

"Connect this Gas Vent only to gas burning appliances, as indicated in Installation Instructions. Do not connect to incinerators, or liquid or solid fuel burning appliances".

### 3. AIR SUPPLY

Gas appliances must have an adequate air supply for combustion, vent operation, and ventilation. (See Table below) Special provisions for bringing in outside air may be necessary in tight buildings or when appliances are in small rooms. Consult local building codes, or NFPA 54, "National Fuel Gas Code" for air supply requirements.

REQUIRED FREE AREA FOR EACH OPENING OR DUCT, SQUARE INCHES BASED ON TOTAL INPUT*			
APPLIANCE TYPES IN ROOM			
Air Supply Method	Draft Hood (NAT)	Combination (FAN + NAT)	Fan-Assisted (Fan Only)
A. All Air From Inside Building	sq. in. = $\frac{\text{Total Input}}{1000}$	$\frac{\text{Total Input}}{1000}$	$\frac{\text{Total Input}}{2000}$
B. All Air From Outdoors Through Wall Openings	sq. in. = $\frac{\text{Total Input}}{4000}$	$\frac{\text{Total Input}}{4000}$	$\frac{\text{Total Input}}{8000}$
B. All Air From Outdoors Through Ducts	sq. in. = $\frac{\text{Total Input}}{2000}$	$\frac{\text{Total Input}}{2000}$	$\frac{\text{Total Input}}{4000}$
C. All Air From Ventilated Attic	sq. in. = $\frac{\text{Total Input}}{4000}$	$\frac{\text{Total Input}}{4000}$	$\frac{\text{Total Input}}{8000}$
D. Air In From Crawl Space Out To Attic	sq. in. = $\frac{\text{Total Input}}{4000}$	$\frac{\text{Total Input}}{4000}$	$\frac{\text{Total Input}}{8000}$

\* Total Input - Total of all appliance nameplate input ratings.

### COMBINED VENT SYSTEM USING TYPE B PARTS STARTING WITH DRAFT HOOD CONNECTORS

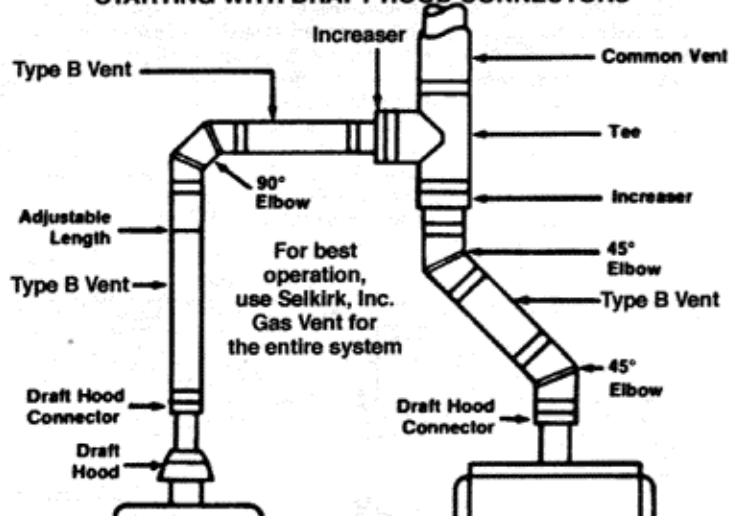


FIG. 3

### 4. VENT CONNECTOR TYPE AND SIZE

Selkirk, Inc. Gas Vent pipe meets all building code and safety standards for use as gas appliance vent connectors. (See Fig. 3). Correct selection of connector and vent size is detailed in the Selkirk Metalbestos Gas Vent and Chimney Sizing Handbook, the "National Fuel Gas Code" (NFPA 54), and local/regional codes.

## 5. VENT LOCATION

Selkirk, Inc. Type B Gas Vents are recommended to be installed within the heated portion of the structure whenever possible. If an exterior location is necessary it is highly recommended to enclose exposed portions (especially in cold climates) to reduce heat loss which may in turn lead to poor draft and / or condensation / icing problems. Appliances served by an exterior gas vent must have an air supply to the appliance room adequate to balance indoor and outdoor pressures. Otherwise, "stack action" of the heated building can cause reverse venting action when the appliance is off, or operating only on its pilot. In multi-family residential, high rise and many other types of buildings, codes specify that vents must be located in fire-rated shafts or chases. (See Fig. 4) Building code requirements in such cases must be carefully followed with respect to wall construction, access, clearance, support, initial penetration of breaching, and method of termination.

## 6. CLEARANCES AND ENCLOSURES

Selkirk, Inc. Type B Gas Vents 3 through 24 inch sizes must be installed with ONE INCH MINIMUM AIR SPACE CLEARANCE TO COMBUSTIBLES! 26 through 48 inch sizes require TWO INCHES MINIMUM AIR SPACE CLEARANCE TO COMBUSTIBLES. These clearances are marked on all gas carrying items. They apply to indoor or outdoor vents whether they are horizontal or vertical, or pass through floors, walls, roofs or framed spaces. The appropriate clearance should be observed to joists, studs, subfloors, plywood, drywall, or plaster enclosures, insulating sheathing, rafters, roofing, and any other materials classed as combustible. KEEP ELECTRICAL WIRES AND BUILDING INSULATION AWAY FROM GAS VENT AND OUT OF THE REQUIRED AIR SPACE!

Single wall materials used as vent connectors are not permitted to be enclosed. There is no need to enclose Selkirk, Inc. Gas Vent where used as connectors under floors, in crawl spaces and basements, or in normally unoccupied or in inaccessible attics. Enclosing the vertical portions of vents is recommended where they pass through rooms, closets, halls or other occupied spaces.

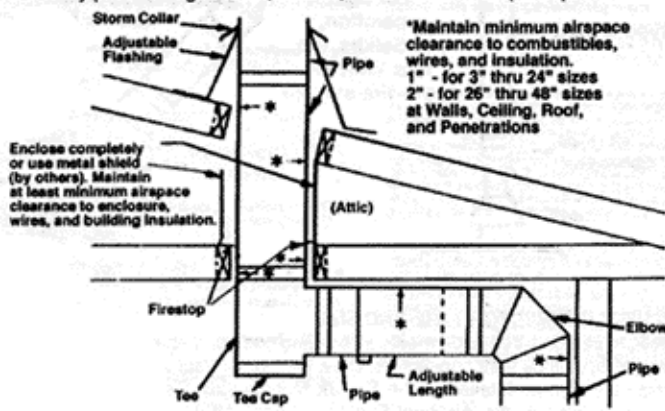


FIG. 5  
TYPICAL CEILING AND ROOF PENETRATIONS

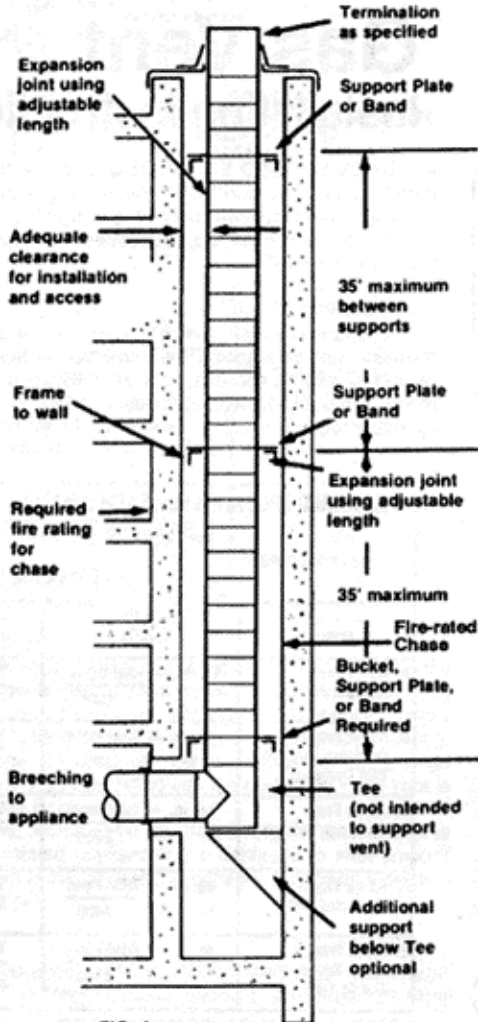


FIG. 4  
CHASE INSTALLATION OF LARGE  
SELKIRK, INC. TYPE B GAS VENT  
IN MULTI-STORY BUILDING

## 7. FIRE STOPPING

All Type B gas vents passing through floors, ceilings or walls must be firestopped using 26 gauge or heavier galvanized steel. (See Fig. 5 and 6.) The fire stop must close the area between the outer wall of the pipe and the opening in the structure. In attics the fire stop should be placed on top of the framed opening. KEEP WIRES AND INSULATION OUT OF REQUIRED AIR SPACE AROUND GAS VENT!

Fire stops may be used as vent pipe supports. See Section 10. For gas vents within a shaft or chase, firestopping is provided by the vertical walls of the shaft. Any openings in the chase / shaft below the roof must be firestopped.

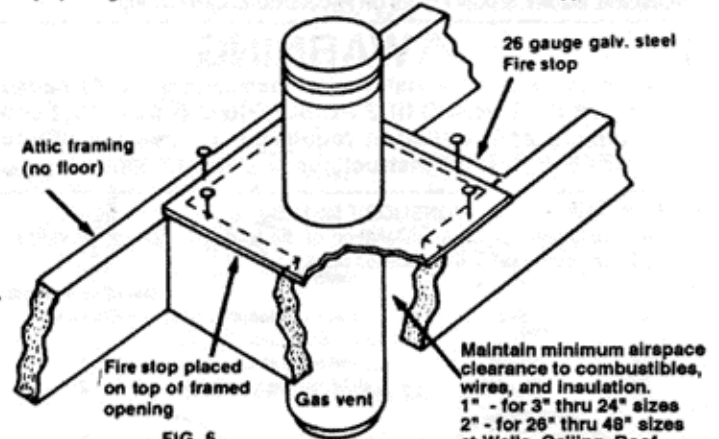


FIG. 6  
FIRE STOPPING REQUIRED FOR ALL  
CEILING/FLOOR PENETRATIONS

## 8. USE OF GAS VENT FITTINGS (See Figs. 3 & 7.)

Do not cut gas vent pipe or fittings. Adjustable lengths are telescoped over fixed lengths, to accommodate odd distances between vent lengths or connectors. An adjustable length suspended below a support serves as an expansion joint between two fixed points of properly supported gas vent. Ordinarily, the adjustable length must be secured, but for expansion joints it should just maintain good contact and a minimum 1-1/2" overlap. (See Fig. 10-B) DO NOT USE adjustable lengths to suspend any weight of pipe below. Elbows for 3" through 8" are fully adjustable. Elbows for sizes 10" through 48" are 45 degree fixed only. Selkirk, Inc. tees, elbows, increasers, and short lengths are specially designed to facilitate interconnections. Tees used to start vertical vents must use a tee cap to prevent air leakage. All unused openings in a gas vent must be sealed to prevent loss of effective vent action.

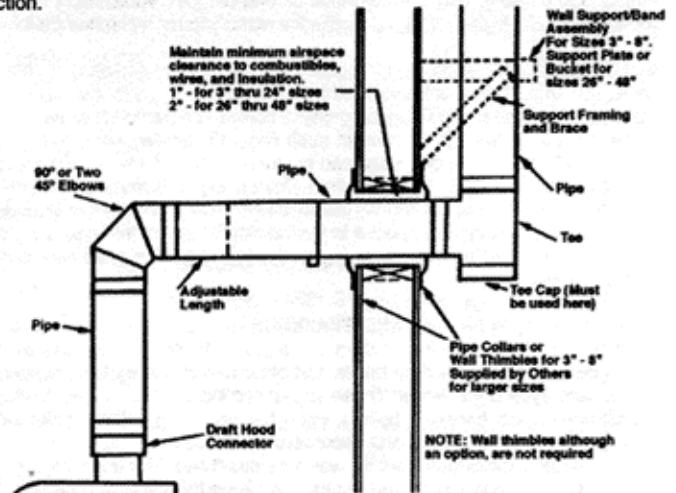


FIG. 7 - WALL PENETRATION FOR TYPE B

## 9. MINIMUM GAS VENT HEIGHT

A minimum gas vent height of 5 feet above the appliance draft hood is required. Where the vent has an offset, or serves multiple appliances, greater heights may be required for proper venting. Special care must be taken with short gas vents on duct furnaces, unit heaters, and furnaces in attics to assure they have sufficient vent height to assure complete venting. Refer to appliance manufacturer instructions and local codes for required minimum heights.

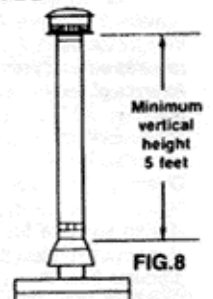


FIG. 8

## 10. SUPPORT

Gas vent piping must be securely supported. Lateral runs are to be supported at least every 5 feet. When offsets are necessary,

adequate support above and below the offset is required. In addition, securing the offset elbow with three maximum 1/4" long sheet metal screws is recommended. Vertical runs firestopped at 8 to 10 foot intervals need only be supported near the bottom. Tees used as vent inlets may be supported by sheet metal plates or brackets. Plumbers tape may be used to support both horizontal and vertical piping. Short vents with less than 6 feet of vertical pipe below the flashing may be suspended from the flashing. (The pipe may be supported by the storm collar resting on the top of the flashing.) Use 1/4 inch long sheet metal screws to attach the storm collar to the pipe at the appropriate place. Gas vents supported only by the flashing must be guyed above or below the roof to withstand snow and wind loads. All gas vents extending above the roof more than 5 feet must be securely guyed or braced.

Indoors, gas vent sizes 3" through 8" may be supported and firestopped using the support plate. (Fig. 9). Cut away all floors and ceilings to 1" minimum air space clearance. After nailing the plate to framing, slide clamp band over pipe and pipe through hole to proper elevation. Secure band to pipe with tabs and screws so weight of pipe rests on plate. The support plate will support 35 feet of vent.

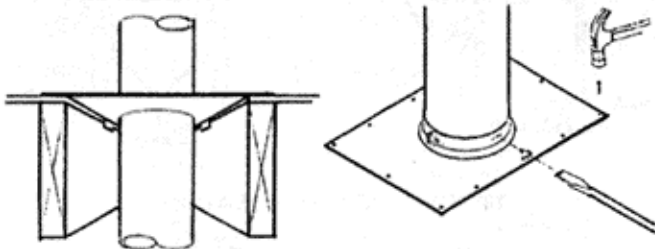


FIG. 9 FIRESTOP/SUPPORT ASSEMBLY

Selkirk, Inc. sizes 10" - 24" Gas Vents may be supported by using a split plate support which fits around the groove near the ends of the pipe and rests on masonry or a metal frame (See Fig. 10-A). Use bucket support for 26" and larger sizes. Suitable structural iron bands constructed from 16 gauge steel or heavier, may be used for the same purpose. (See Fig. 10-B)

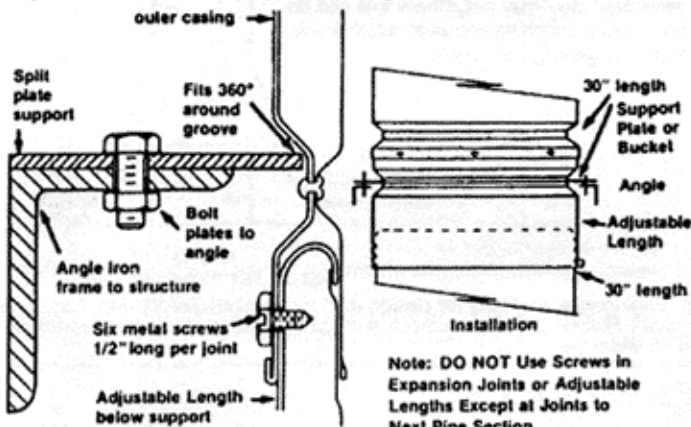


FIG. 10-A SPLIT PLATE SUGGESTED SUPPORT DETAIL

FIG. 10-B TYPICAL EXPANSION JOINT BELOW EACH SUPPORT

### 11. FLASHING

The roof opening should be located and sized such that the vent is vertical and has the required air space clearance.

The Tall Cone Flashing is for flat roofs only (see Fig. 11-A). It is nailed in place through all four sides of the base flange.

The Adjustable Roof Flashing (see Fig. 11-B) is positioned with the lower portion of the base flange over roofing material. Nail through only the upper portion and sides of the base flange. (DO NOT nail through lower flange.) Use nails with a neoprene washer, or cover the nail heads with a silicone sealant. Finish roofing around the flashing, covering the sides and upper areas of the flange with roofing material.

### 12. VENT TERMINATION

Gas vent piping must extend through the flashing to a height above the roof determined by Rule I or Rule II shown below. A storm collar is installed on the vent pipe over the opening between pipe and flashing. Silicone sealant is used over the joint between pipe and storm collar. The top is securely attached to the gas vent using the proper method for the model of pipe. (See Sections 13 and 14.)

Rule I - Tops for gas vent sizes 12" and smaller.

The cap is suitable for installation on listed gas vents terminating a sufficient distance from the roof so that no discharge opening is less than 2 feet horizontally from the roof surface, and the lowest discharge opening will be no closer than the minimum height specified in Fig. 12-B. These minimum heights may be used provided that the vent is not less than 8 feet from any vertical wall.

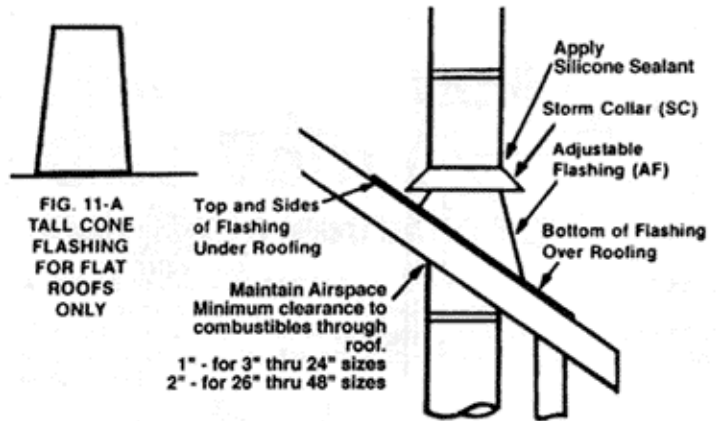


FIG. 11-B ELEMENTS FOR PROPER ROOF FLASHING INSTALLATION

Rule II - Tops for gas vent sizes 14" and larger.

For installations other than covered by the table (Fig. 12-B), or closer than 8 feet to any vertical wall, the cap shall be not less than 2 feet above the highest point where the vent passes through the roof and at least 2 feet higher than any portion of a building within 10 feet. Vent caps 14" and larger must comply with Rule II regardless of roof pitch.

These rules were established on the basis of tests conducted in accordance with American National Standard ANSI/UL 441.

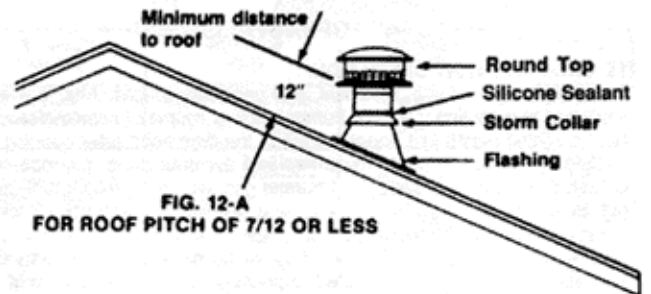


FIG. 12-A FOR ROOF PITCH OF 7/12 OR LESS

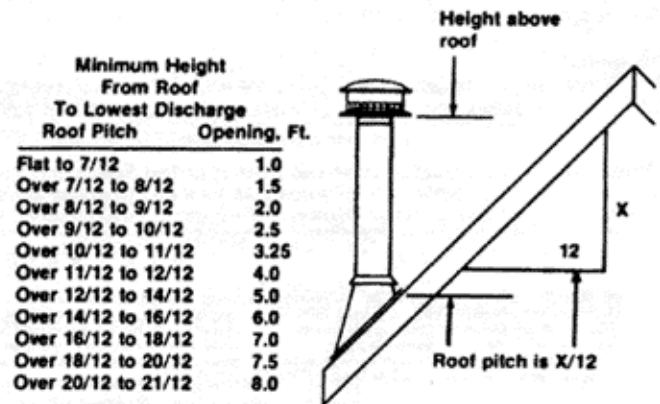


FIG. 12-B LOCATION RULES FOR FLAT TO 21/12 PITCH

### 13. 3"-8" TOP INSTALLATION

Selkirk, Inc. Round tops (for pipe sizes 3" - 8") have a spring clip which engages and locks automatically when the top is pushed into the upper end of the pipe. (See Fig. 13-A.) The Top will also fit any single wall metal pipe having full nominal inch dimensions. (Never use single wall pipe where Type B Gas Vent is required). To attach securely, bend a one inch length of the pipe upper end inward about 1/8". The spring clip will lock under this bent edge. (See Fig. 13-B.) To remove the top from any pipe, pull up evenly on opposite sides of the skirt of the top.

### 14. 10" - 24" TOP INSTALLATION

The Selkirk, Inc. Round Tops (for pipe sizes 10"-24") feature an expanding collar which clamps to the inside of the pipe and any other sheet metal pipe of similar nominal size. To install, loosen screw on top of collar and squeeze the bottom so that it will enter the pipe easily (See Fig. 14-A). Press down evenly on the skirt until it contacts the upper end of the pipe (See Fig. 14-B). Tighten the screw to expand the collar against the pipe inner (See Fig. 14-C). DON'T OVERTIGHTEN! Attempt to lift skirt to ensure top is secure.

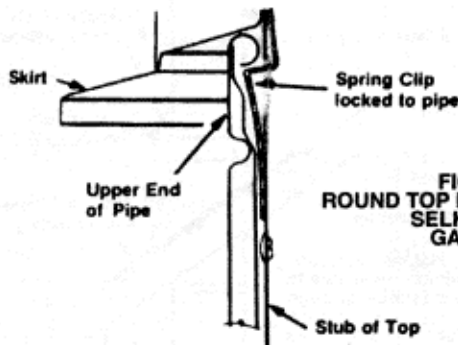
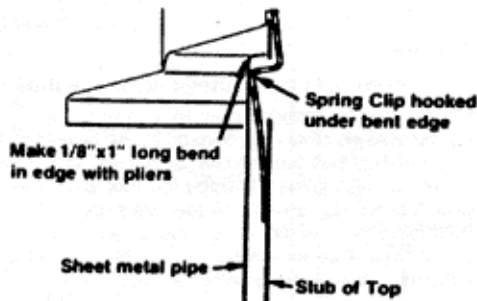


FIG. 13-A  
ROUND TOP  
INSTALLATION ON  
SELKIRK, INC.  
GAS VENT

FIG. 13-B  
ROUND TOP  
INSTALLATION  
ON SINGLE  
WALL PIPE



3"-8" TOP INSTALLATION

### 15. CHECKING VENT OPERATION

Complete all gas piping, electrical, and vent connections. After adjusting the appliance and lighting the main burner, allow a couple of minutes for warm-up. Hold a lighted match just under the rim of the draft hood relief opening. Proper venting will draw the flame toward or into the draft hood. Improper venting, indicated by escape or spillage of burned gas, will cause match to flicker or go out. Smoke from a cigarette will also be pulled into the draft hood if the vent is drawing properly and flow away if not.

For fan assisted appliances, which have no draft hood, no such check is available. However, Fan Assisted appliances are designed to shut down if excessive pressure is detected at the outlet. If this occurs it may be an indication that the system is not venting properly.

### 16. PAINTING

To prolong the life and appearance of the galvanized steel outer casing and other parts of Selkirk, Inc. Gas Vents located outdoors, use proper painting

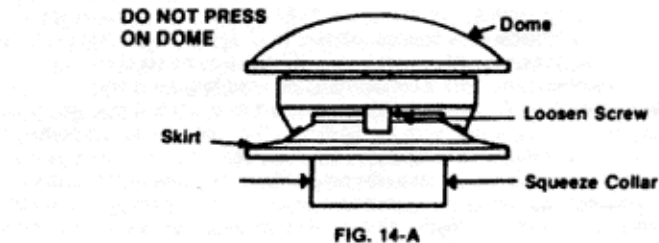


FIG. 14-A

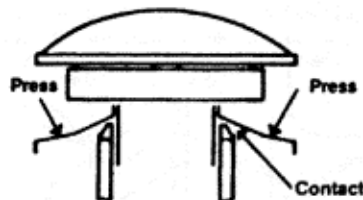


FIG. 14-B

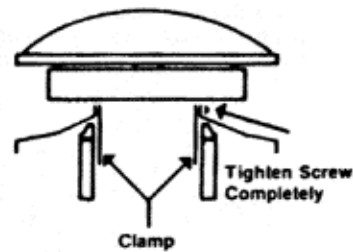


FIG. 14-C

10" - 24" TOP INSTALLATION

procedure at time of installation. Remove oil and dirt with a solvent. Paint first with a good quality zinc primer or other primer recommended for use on galvanized steel. Next apply an appropriate finish coat. Ordinary house paints applied directly to galvanized steel may not adhere well and do not prevent underfilm corrosion which leads to paint loosening and peeling.

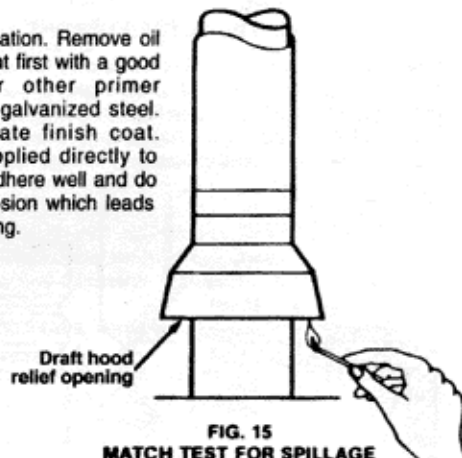


FIG. 15  
MATCH TEST FOR SPILLAGE

These instructions should be observed when installing Selkirk, Inc. Gas Vents. Engineering methods for design and sizing of all Selkirk, Inc. Gas Vents are provided in the "Selkirk Metalbestos Gas Vent and Chimney Sizing Handbook". Following these methods will assure safe and complete removal of combustion products. For installation of Selkirk, Inc. Oval Gas Vents, see separate instruction sheet.

## LIFETIME WARRANTY

**LIMITED LIFETIME WARRANTY:** Selkirk Inc. ("Selkirk," "we," "us," "our") warrants to the original purchaser/consumer that Metalbestos Model: SSI, DS Smoke, SGPlus, VP Type L Vent, Type B Gas Vent, SW, SWII, DWC and SWC products are to be free from defects in material and workmanship for the life of the product when properly connected to an applicable appliance listed by an accredited safety certification agency and installed in accordance with our installation instructions and specifications.

- For products installed after January 1, 2000, for a period of Ten (10) years from original installation, we will provide replacement product to the original consumer for the product proven defective with a similar or like quantity of available Selkirk Inc. product, free of charge.
- From the Eleventh (11) through Fifteenth (15) years we will provide replacement product to the original consumer at a cost of 75% off of the published Retail Price in effect on the date the claim is received.
- At expiration of the Fifteen (15) year term, we will provide replacement product to the original consumer at a cost of 50% off of the published Retail Price in effect on the date the claim is received.

**WARNING:** FAILURE TO INSTALL SELKIRK PRODUCTS ACCORDING TO THE MANUFACTURER'S INSTRUCTIONS WILL VOID ALL APPLICABLE WARRANTIES AND MAY RESULT IN FIRE, CARBON MONOXIDE POISONING OR DEATH. SEE OUR SELKIRK INC. PRODUCTS INSTALLATION INSTRUCTIONS FOR COMPLETE INSTRUCTIONS. Call 800-992-8368 for a free copy.

WE DO NOT GUARANTEE OR IN ANY WAY WARRANT THE INSTALLATION OF SELKIRK PRODUCTS DUE TO THE WIDE VARIANCE IN INSTALLATION PRACTICES AND OTHER CONDITIONS BEYOND OUR CONTROL.

#### THIS LIMITED WARRANTY DOES NOT COVER:

- (a) costs (labor or otherwise) associated with either removing a previously installed product, installing a replacement product, transportation or return of a product, or transportation of replacement product;
- (b) damage to the finish of products caused by the use of improper solvents/chemicals or improper cleaning methods;
- (c) damage resulting from failure to reasonably clean, care for or maintain products in accordance with our installation instructions/recommendations;

(d) damage (to products, appliances or structure) based on or resulting from improper installation or repair, misuse or abuse (including, but not limited to, excessive or improper operating conditions), or alteration or adjustments other than in conformity with our installation instructions and specifications, whether performed by a contractor, service company, technician, or yourself;

- (e) any products that have been moved from their original installation site;
- (f) damage resulting when driftwood, garbage, or any other prohibitive material has been burned in the appliance served by the chimney;
- (g) damage to your chimney that results from accidents such as fire, flood, high winds, "acts of God", or any other contingency beyond our control.

**CLAIM PROCEDURE:** If you believe that a product fails to meet the above limited warranty, notify us in writing at the following location:

SELKIRK, INC. Attn: WARRANTY CLAIMS DEPARTMENT  
14801 Quorum Drive, Dallas, TX 75240  
Fax: (877) 393-4145 Ph: (800) 992-8368

Notification should include a description of the product, model and part number and how the product fails to meet the above warranty. Upon receipt of a written claim under this limited warranty and evidence of the date of purchase or installation, at our option and in our sole discretion, we will either repair or replace the product with similar or like quantity of available Selkirk Inc. product per this warranty. Selkirk Inc. reserves the right to inspect or investigate any warranty claims prior to determining whether to repair or replace a product. If, as determined by Selkirk Inc., repair or replacement of the product is not commercially practicable or cannot be completed in a timely manner, we may refund the original purchase price paid for the product upon verification by providing a copy of your invoice, receipt of bill of sale.

ANY IMPLIED WARRANTY OF MERCHANTABILITY OR FITNESS FOR A PARTICULAR PURPOSE IS LIMITED IN DURATION TO THE WARRANTY PERIOD SPECIFIED ABOVE. WE DISCLAIM ANY LIABILITY FOR CONSEQUENTIAL OR INCIDENTAL DAMAGES AND ANY LOSS OR EXPENSES, NOT SPECIFIED ABOVE. SOME STATES MAY NOT ALLOW THE EXCLUSION OR LIMITATION OF INCIDENTAL OR CONSEQUENTIAL DAMAGES, OR HOW LONG AN IMPLIED WARRANTY LASTS, SO THE ABOVE EXCLUSIONS OR LIMITATIONS MAY NOT APPLY TO YOU. THIS WARRANTY GIVES YOU SPECIFIC LEGAL RIGHTS AND YOU MAY ALSO HAVE LEGAL RIGHTS WHICH VARY FROM STATE TO STATE.

Metalbestos is the world's largest manufacturer of venting products and we back up our superior design with a Lifetime of security. Visit our web site at [www.selkirkinc.com](http://www.selkirkinc.com) to find out more about our complete product offering.

Please copy, fax or mail this form to:

Selkirk Inc., 14801 Quorum Drive, Dallas, Texas 75240 USA  
Fax: 1-877-393-4145

NAME \_\_\_\_\_  
STREET \_\_\_\_\_  
CITY \_\_\_\_\_ STATE \_\_\_\_\_ ZIP \_\_\_\_\_  
INSTALLATION DATE \_\_\_\_\_  
PRODUCT TYPE  SSI  DS Smoke  SGPlus  DWC  SWC  
 VP Type L Vent  Type B Gas Vent  SW  SWII  
TYPE OF INSTALLATION  VERTICAL  THRU-THE-WALL  
LOCATED IN  HOME  VACATION HOME  OTHER  
TYPE OF LISTED APPLIANCE CONNECTED TO \_\_\_\_\_  
BRAND NAME OF APPLIANCE \_\_\_\_\_  
STORE NAME \_\_\_\_\_ CITY \_\_\_\_\_ STATE \_\_\_\_\_

14801 QUORUM DRIVE DALLAS, TX 75240 (800) 992-8368  
Nampa, Idaho Factory 208-467-7411 Logan, Ohio Factory 740-385-5666

**SELKIRK.**  
A15010

# SELKIRK.

Selkirk Inc. gas vent parts LISTED and produced under the Factory Inspection and Follow-Up program of Underwriters' Laboratories, Inc. carry the LISTING MARK indicated here.



**CAUTION: WEAR GLOVES WHILE HANDLING METAL PARTS TO AVOID PERSONAL INJURY. SHARP EDGES OR PROJECTIONS CAN CUT YOU.**

Refer to the main installation instructions for complete details about installing the vent system. The main installation instructions are packaged with the Top or can be obtained by calling one of the telephone numbers listed at the bottom of this sheet.

## WARNING

**Failure to follow the installation instructions could cause FIRE, CARBON MONOXIDE POISONING, OR DEATH. If you are unsure of installation requirements, call the Phone Number listed on the instructions or sizing handbook.**

### SIZES AVAILABLE

PART #	BODY	BRANCH	CLEARANCE TO COMBUSTIBLES
4RV3AY	4"	3"	1"
4RV4AY	4"	4"	1"
5RV3AY	5"	3"	1"
5RV4AY	5"	4"	1"
6RV3AY	6"	3"	1"
6RV4AY	6"	4"	1"
6RV5AY	6"	5"	1"

On many newer gas appliances designed with efficiencies of 78% to 83% (mid-efficiency appliances, commonly referred to as fan assisted appliances), it is more important than ever that the connector system maintain the maximum amount of heat possible, in order to reduce the chances of excessive condensation in the venting system.

Therefore, according to the current vent sizing guidelines in many situations it will be necessary to use Type B vent as the connector system. As a convenience for use in such installations, Selkirk Inc. has developed a fully adjustable wye fitting for maximum installation flexibility. The common vent extends from the ceiling and the wye is attached in the same manner as a Tee. The body of the wye, including the branch, can be rotated 360 degrees to accommodate the position of the water heater or smaller appliance.

The branch of the wye can be rotated such that it extends perpendicular to the body (90 degrees), or may be adjusted in any position downward to an angle parallel to the main body.

The lower section is connected to the main appliance, or the larger of the two appliances. This section can be rotated 360 degrees with respect to the main body and branch of the wye and can be adjusted in any position from a 45 degree angle to straight down. If two fan assisted appliances are used, Type B vent should be used on both connector systems. If only one fan assisted appliance is used, and sizing guidelines permit a single wall connector pipe may be attached to the Selkirk Inc. wye fitting by inserting the crimped end into the fitting and attaching with three sheet metal screws through the galvanized outer and into the single wall pipe. Note: To avoid excessive condensation, single wall connectors should be used only in situations where sizing recommendations permits.

When the wye fitting is attached to the appliance with Type B vent, the final connection can be made with either of two adjustable lengths to eliminate the need for special placement of either appliance.

Adjustable lengths are available in 12" and 18".

# Round Type B Gas Vent

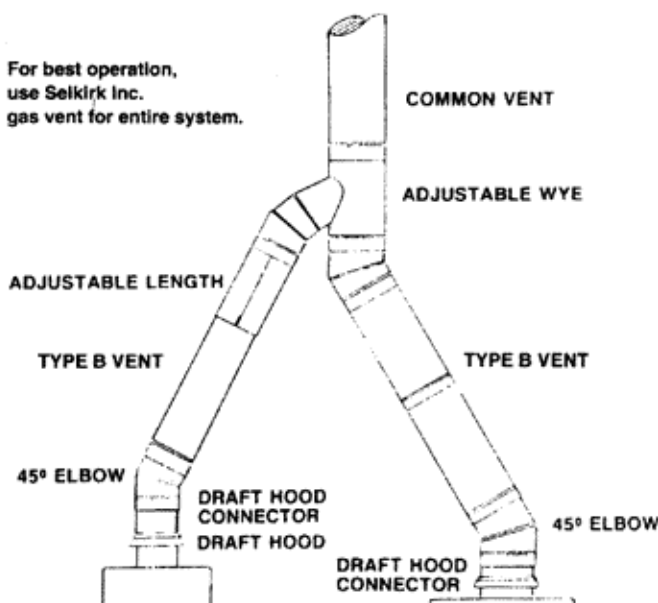
## ADJUSTABLE WYE Installation Instructions

### VENT CONNECTOR TYPE AND SIZING

Selkirk Inc. Gas Vent pipe meets all building code and safety standards for use as gas appliance vent connector and breechings. (See Fig. 1). Correct selection of connector and vent size is detailed in the Selkirk Metalbestos Gas Vent and Chimney Sizing Handbook. Reference may also be made to the National Fuel Gas Code for Connector and Vent Capacities and sizing recommendations.

**A NOTICE SHOULD BE POSTED** near the point where the Gas Vent is connected to the appliance with the following wording:

"Connect this Gas Vent only to gas burning appliances, as indicated in installation instructions. Do not connect to incinerators or liquid or solid fuel burning appliances."



For best operation, use Selkirk Inc. gas vent for entire system.

### WARNINGS.

DO NOT APPLY TAPE OR SEALANT TO JOINTS OF SELKIRK INC. TYPE B GAS VENTS. DON'T USE TYPE B GAS VENT FOR INCINERATORS, APPLIANCES BURNING LIQUID OR SOLID FUELS, OR FOR ANY APPLIANCE WHICH NEEDS A CHIMNEY SUCH AS "FACTORY-BUILT" OR MASONRY.

## LIFETIME WARRANTY

**LIMITED LIFETIME WARRANTY:** Selkirk Inc. ("Selkirk," "we," "us," "our") warrants to the original purchaser/consumer that Metalbestos Models: SSII, DS Smoke, SGPlus, VP Type L Vent, Type B Gas Vent, SW, SWII, DWK and SWC products are to be free from defects in material and workmanship for the life of the product when properly connected to an applicable appliance listed by an accredited safety certification agency and installed in accordance with our installation instructions and specifications.

For products installed after January 1, 2000, for a period of Ten (10) years from original installation, we will provide replacement product to the original consumer for the product proven defective with a similar or like quantity of available Selkirk Inc. product, free of charge.

From the Eleventh (11) through Fifteenth (15) years we will provide replacement product to the original consumer at a cost of 75% off of the published Retail Price in effect on the date the claim is received.

At expiration of the Fifteen (15) year term, we will provide replacement product to the original consumer at a cost of 50% off of the published Retail Price in effect on the date the claim is received.

**WARNING:** FAILURE TO INSTALL SELKIRK PRODUCTS ACCORDING TO THE MANUFACTURER'S INSTALLATION INSTRUCTIONS WILL VOID ALL APPLICABLE WARRANTIES AND MAY RESULT IN FIRE, CARBON MONOXIDE POISONING OR DEATH. SEE OUR SELKIRK INC. PRODUCTS INSTALLATION INSTRUCTIONS FOR COMPLETE INSTRUCTIONS. Call 800-992-8368 for a free copy.

WE DO NOT GUARANTEE OR IN ANY WAY WARRANT THE INSTALLATION OF SELKIRK PRODUCTS DUE TO THE WIDE VARIANCE IN INSTALLATION PRACTICES AND OTHER CONDITIONS BEYOND OUR CONTROL.

### LIMITED WARRANTY DOES NOT COVER:

(a) labor or otherwise associated with either removing a previously installed product, installing a replacement product, transportation or return of a product, or transportation of replacement product;

(b) damage to the finish of products caused by the use of improper solvents/chemicals or improper cleaning methods;

(c) damage resulting from failure to reasonably clean, care for or maintain products in accordance with our installation instructions/recommendations;

(d) damage (to products, appliances or structures) based on or resulting from improper installation or repair, misuse or abuse (including, but not limited to, excessive or improper operating conditions), or alteration or adjustments other than in conformity with our installation instructions and specifications, whether performed by a contractor, service company, technician, or yourself;

(e) any products that have been moved from their original installation site;

(f) damage resulting when driftwood, garbage, or any other prohibitive material has been burned in the appliance served by the chimney;

(g) damage to your chimney that results from accidents such as fire, flood, high winds, "acts of God", or any other contingency beyond our control.

**CLAIM PROCEDURE:** If you believe that a product fails to meet the above limited warranty, notify us in writing of the following location:

SELKIRK, INC. Attn: WARRANTY CLAIMS DEPARTMENT  
14801 Quorum Drive, Dallas, TX 75240  
Fax: (877) 393-4145 Ph: (800) 992-8368

Notification should include a description of the product, model and part number and how the product fails to meet the above warranty. Upon receipt of a written claim under this limited warranty and evidence of the date of purchase or installation, at our option and in our sole discretion, we will either repair or replace the product with similar or like quantity of available Selkirk Inc. product per this warranty. Selkirk Inc. reserves the right to inspect or investigate any warranty claims prior to determining whether to repair or replace a product. If, as determined by Selkirk Inc., repair or replacement of the product is not commercially practicable or cannot be completed in a timely manner, we may refund the prorated purchase price paid for the product upon verification by providing a copy of your invoice, receipt of bill of sale.

ANY IMPLIED WARRANTY OF MERCHANTABILITY OR FITNESS FOR A PARTICULAR PURPOSE IS LIMITED IN DURATION TO THE WARRANTY PERIOD SPECIFIED ABOVE. WE DISCLAIM ANY LIABILITY FOR CONSEQUENTIAL OR INCIDENTAL DAMAGES AND ANY LOSS OR EXPENSES, NOT SPECIFIED ABOVE. SOME STATES MAY NOT ALLOW THE EXCLUSION OR LIMITATION OF INCIDENTAL OR CONSEQUENTIAL DAMAGES, OR HOW LONG AN IMPLIED WARRANTY LASTS, SO THE ABOVE EXCLUSIONS OR LIMITATIONS MAY NOT APPLY TO YOU. THIS WARRANTY GIVES YOU SPECIFIC LEGAL RIGHTS AND YOU MAY ALSO HAVE LEGAL RIGHTS WHICH VARY FROM STATE TO STATE.

Metalbestos is the world's largest manufacturer of venting products and we back up our superior design with a Lifetime of security. Visit our web site at [www.selkirkinc.com](http://www.selkirkinc.com) to find out more about our complete product offering.

Please copy, fax or mail this form to:

Selkirk Inc., 14801 Quorum Drive, Dallas, Texas 75240 USA  
Fax: 1-877-393-4145

NAME \_\_\_\_\_

STREET \_\_\_\_\_

CITY \_\_\_\_\_ STATE \_\_\_\_\_ ZIP \_\_\_\_\_

INSTALLATION DATE \_\_\_\_\_

PRODUCT TYPE  SSII  DS Smoke  SGPlus  DWK  SWC

VP Type L Vent  Type B Gas Vent  SW  SWII

TYPE OF INSTALLATION  VERTICAL  THRU-THE-WALL

LOCATED IN  HOME  VACATION HOME  OTHER

TYPE OF LISTED APPLIANCE CONNECTED TO \_\_\_\_\_

BRAND NAME OF APPLIANCE \_\_\_\_\_

STORE NAME \_\_\_\_\_ CITY \_\_\_\_\_ STATE \_\_\_\_\_

14801 QUORUM DRIVE DALLAS, TX 75240 (800) 992-8368  
Nampa, Idaho Factory 208-467-7411 Logan, Ohio Factory 740-385-5666





elkirk, Inc. gas vent parts LISTED and produced under the Factory Inspection and Follow-Up Program of Underwriters' Laboratories, Inc. carry the LISTING MARK illustrated here.



**CAUTION: WEAR GLOVES WHILE HANDLING METAL PARTS TO AVOID PERSONAL INJURY. SHARP EDGES OR PROJECTIONS CAN CUT YOU.**

Refer to the main installation instructions for complete details about installing the vent system. The main installation instructions are packaged with the Top or can be obtained by calling one of the telephone numbers listed at the bottom of this sheet.

### ⚠ WARNING

**Failure to follow the installation instructions could cause FIRE, CARBON MONOXIDE POISONING, OR DEATH. If you are unsure of installation requirements, call the Phone Number listed on the instructions or sizing handbook.**

#### USES AVAILABLE/USAGE

Male and female Universal Adapters are available in 3" through 8" ID sizes. Universal male adapters may be used to adapt to the top (outlet) end of a compatible round, Type B gas vent section, in order to continue the stem toward the termination with Selkirk, Inc. round gas vent. The top end of the adapter incorporates the elkirk, Inc. joint coupling design.

Universal female adapters may be used to adapt to the bottom (inlet) end of a compatible Type B gas vent, in order to continue the system toward the appliance using Selkirk, Inc. round gas vent. The bottom end of the adapter incorporates the Selkirk, Inc. joint coupling design.

#### COMPATIBILITY

These fittings have been specifically evaluated and Listed for use in adapting to the following manufacturers' and Type B gas vents.

Simpson DuraVent	Hart & Cooley
American Metal Products Company	General Products Company (Air Jet)
Metal-Fab	

The following Type B gas vents are directly compatible with Selkirk 3" through 8" Type B gas vent and require adapters.

Selkirk Metalbestos (current and former)	Eijer HVAC
Household Mfg. HVAC	AirMate

#### MALE ADAPTER—INSTALLATION

The male adapter is a fitting designed to slide (telescope) down over the top end of the adjacent gas vent section with the inner, aluminum liner sliding inside the existing liner and the outer wall sliding outside (over) the outer wall. (See Fig. 1A).

Longer (12" and 18") versions of the universal male adapter are offered as "Adjustable Lengths" for use either (1) in adapting to another manufacturer's gas vent or (2) in conjunction with another length section to develop an assembly of a specific dimension.

**INSTALL**—Slide the adapter over the top (outlet) end of the adjacent gas vent being sure that the aluminum inner wall slides within and the outer slides over the top. Push the adapter down until it overlaps at least 1-1/2". Using the holes in the outer wall of the adapter as a guide, drill two holes through the outer wall (only) of the existing gas vent. Be careful not to penetrate the inner liner of the gas vent. Secure the adapter to the gas vent section with two 1/4" length maximum sheet metal screws (provided).

The top (outlet) end of the system has now been converted to the Selkirk, Inc. joint coupling design.

#### FEMALE ADAPTER—INSTALLATION

The female adapter is a fitting with a top end designed to slide within the annular gap between the inner and outer walls of the bottom (inlet) end of the adjacent gas vent section. It is held in place by screws. (See Figs. B and 2).

**INSTALL**—Initially, drill 3, approx. 1/8" diameter holes in the outer wall (only) of the compatible gas vent section approx. 3/8" up from the bottom. Each hole should be oriented at approx. 120 degree increments around the perimeter, being careful NOT to drill through the aluminum liner.

Next guide the top end of the adapter into the annular space between the inner and outer walls of the compatible vent section, being careful to insure that the aluminum inner wall slides over the bottom end of the inner all of the adjacent section. Engage the two pieces at least 1-1/4". Holding the adapter engaged, and using the holes previously drilled in the adjacent outer wall as guides, drill the same diameter holes through the outer wall

# Round Type B Gas Vent MALE AND FEMALE UNIVERSAL ADAPTERS Installation Instructions

(only) of the adapter, again being careful NOT to drill through the aluminum liner. Use the 1/4" long (max.) sheet metal screws (provided) to run through the holes and rigidly fasten the adapter to the adjacent vent section. The bottom (inlet) end of the system has now been converted to the Selkirk, Inc. joint coupling design.

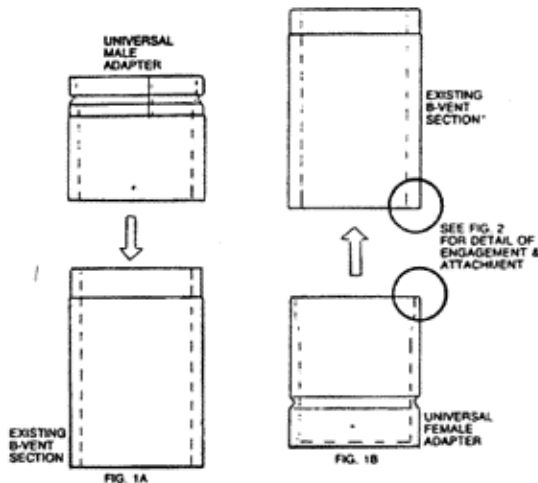


FIG. 1A

FIG. 1B

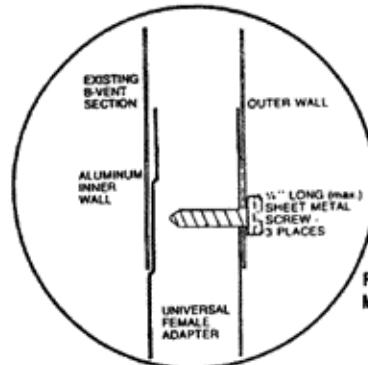


FIG. 2 - DETAIL OF ENGAGEMENT AND CONNECTION OF FEMALE UNIVERSAL ADAPTER

## LIFETIME WARRANTY

**LIMITED LIFETIME WARRANTY:** Selkirk Inc. ("Selkirk," "we," "us," "our") warrants the original purchaser/consumer that Metalbestos Model: SSII, DS Smoke, SGPlus, Type L Vent, Type B Gas Vent, SW, SWII, DWC and SWC products are to be free from defects in material and workmanship for the life of the product whose property caused to an applicable agency listed by an accredited safety certification agency and installed in accordance with our installation instructions and specifications.

For products installed after January 1, 2000, for a period of Ten (10) years from original installation, we will provide replacement product to the original consumer at a cost of 75% off of the published Retail Price in effect on the date the claim is received.

From the Eleventh (11) through Fifteenth (15) years, we will provide replacement product to the original consumer at a cost of 50% off of the published Retail Price in effect on the date the claim is received.

At expiration of the Fifteen (15) year term, we will provide replacement product to the original consumer at a cost of 50% off of the published Retail Price in effect on the date the claim is received.

**WARNING:** FAILURE TO INSTALL SELKIRK PRODUCTS ACCORDING TO THE MANUFACTURER'S INSTRUCTIONS WILL VOID ALL APPLICABLE WARRANTIES AND MAY RESULT IN FIRE, CARBON MONOXIDE POISONING OR DEATH. SEE OUR SELKIRK INC. PRODUCTS TALKATION INSTRUCTIONS FOR COMPLETE INSTRUCTIONS. Call 800-992-8368 for a copy.

**DO NOT GUARANTEE OR IN ANY WAY WARRANT THE INSTALLATION OF SELKIRK PRODUCTS DUE TO THE WIDE VARIANCE IN INSTALLATION PRACTICES AND OTHER CONDITIONS BEYOND OUR CONTROL.**

#### LIMITED WARRANTY DOES NOT COVER:

- Labor or otherwise associated with either removing a previously installed product, installing a replacement product, transportation or return of a product, or transportation of replacement product;
- Damage to the finish of products caused by the use of improper solvents/chemicals or improper cleaning methods;
- Damage resulting from failure to reasonably clean, care for or maintain products in accordance with our installation instructions/recommendations;

(d) damage (to products, appliances or structure) based on or resulting from improper installation or repair, misuse or abuse (including, but not limited to, excessive or improper operating conditions), or alteration or adjustments other than in conformity with our installation instructions and specifications, whether performed by a contractor, service company, technician, or yourself;

- (e) any products that have been moved from their original installation site;
- (f) damage resulting when driftwood, garbage, or any other prohibitive material has been burned in the appliance served by the chimney;
- (g) damage to your chimney that results from accidents such as fire, flood, high winds, acts of God, or any other contingency beyond our control.

**CLAIM PROCEDURE:** If you believe that a product fails to meet the above limited warranty, notify us in writing at the following location:

SELKIRK, INC. Attn: WARRANTY CLAIMS DEPARTMENT  
14801 Quorum Drive, Dallas, TX 75240  
Fax: (877) 993-4145 Ph: (800) 992-8368

Notification should include a description of the product, model and part number and how the product fails to meet the above warranty. Upon receipt of a written claim under this limited warranty and evidence of the date of purchase or installation, at our option and in our sole discretion, we will either repair or replace the product with similar or like quantity of available Selkirk Inc. product per this warranty. Selkirk Inc. reserves the right to inspect or impound any warranty claims prior to determining whether to repair or replace a product. If, as determined by Selkirk Inc., repair or replacement of the product is not commercially practicable or cannot be completed in a timely manner, we may refund the pro-rated purchase price paid for the product upon verification by providing a copy of your invoice, receipt of bill of sale.

ANY IMPLIED WARRANTY OF MERCHANTABILITY OR FITNESS FOR A PARTICULAR PURPOSE IS LIMITED IN DURATION TO THE WARRANTY PERIOD SPECIFIED ABOVE. WE DISCLAIM ANY LIABILITY FOR CONSEQUENTIAL OR INCIDENTAL DAMAGES AND ANY LOSS OR EXPENSES, NOT SPECIFIED ABOVE. SOME STATES MAY NOT ALLOW THE EXCLUSION OR LIMITATION OF INCIDENTAL OR CONSEQUENTIAL DAMAGES, OR HOW LONG AN IMPLIED WARRANTY LASTS, SO THE ABOVE EXCLUSIONS OR LIMITATIONS MAY NOT APPLY TO YOU. THIS WARRANTY GIVES YOU SPECIFIC LEGAL RIGHTS AND YOU MAY ALSO HAVE LEGAL RIGHTS WHICH VARY FROM STATE TO STATE.

Metalbestos is the world's largest manufacturer of venting products and we back up our superior design with a Lifetime of security. Visit our web site at [www.selkirkinc.com](http://www.selkirkinc.com) to find out more about our complete product offering.

Please copy, fax or mail this form to:

Selkirk Inc., 14801 Quorum Drive, Dallas, Texas 75240 USA  
Fax: 1-877-393-4145

NAME \_\_\_\_\_  
STREET \_\_\_\_\_  
CITY \_\_\_\_\_ STATE \_\_\_\_\_ ZIP \_\_\_\_\_  
INSTALLATION DATE \_\_\_\_\_  
PRODUCT TYPE  SSII  DS Smoke  SGPlus  DWC  SWC  
 YP Type L Vent  Type B Gas Vent  SW  SWII  
TYPE OF INSTALLATION  VERTICAL  THRU-THE-WALL  
LOCATED IN  HOME  VACATION HOME  OTHER  
TYPE OF LISTED APPLIANCE CONNECTED TO \_\_\_\_\_  
BRAND NAME OF APPLIANCE \_\_\_\_\_  
STORE NAME \_\_\_\_\_ CITY \_\_\_\_\_ STATE \_\_\_\_\_

14801 QUORUM DRIVE DALLAS, TX 75240 (800) 992-8368  
Nampa, Idaho Factory 208-467-7411 Logan, Ohio Factory 740-385-5666





Selkirk, Inc. gas vent parts LISTED and produced under the Factory Inspection and Follow-Up program of Underwriters' Laboratories, Inc. carry the LISTING MARK illustrated here. 

**CAUTION: WEAR GLOVES WHILE HANDLING METAL PARTS TO AVOID PERSONAL INJURY. SHARP EDGES OR PROJECTIONS CAN CUT YOU.**

### **WARNING**

Failure to follow the installation instructions could cause **FIRE, CARBON MONOXIDE POISONING, OR DEATH.** If you are unsure of installation requirements, call the Phone Number listed on the instructions or sizing handbook.

#### OVAL GAS VENT OPTIONS

These instructions describe installation of the following catalog designations and sizes of Selkirk, Inc. Oval Gas Vent Pipe and allied parts.

All joints in Selkirk, Inc. gas vents must be securely joined together using the appropriate method. Draft hood connectors, where required, must be screwed to the appliance outlet. Single wall connectors, if used, must be secured to the appliance, to the gas vent, and at all joints with 3 sheet metal screws per joint.

Type	Size	Minimum Airspace Clearance to Combustibles
BW	4	As created by centering in 2x4 (50mmx100mm) stud walls
B	4, 5	1" (25.4mm) or as centered in 2x4 (50mm x 100mm) stud walls
B	5/6	1" (25.4mm) or as centered in 2x6 (50mm x 150mm) stud walls



**JOINING OVAL FITTINGS**  
Fig. 1 - To join, push upper section down onto lower section until "Fastloc" tabs are engaged.

#### TYPES OF APPLIANCES

Type B Gas Vents are for venting of Listed gas (LP or natural) gas-burning appliances equipped with draft hoods, and other Listed gas appliances

specified for use with Type B gas vents. These appliances include (but are not limited to) the following types: furnaces, boilers, water heaters, room heaters, unit heaters, duct furnaces, floor furnaces, and decorative appliances.

DO NOT USE Type B gas vent for wall furnaces "Listed" for use with Type BW gas vents only, incinerators and appliances Listed for use with chimneys only, combination gas-oil burning appliances, and appliances which may be converted readily to the use of solid or liquid fuels. DO NOT USE Type B gas vent for Category II, III, IV appliances or for any gas-burning appliance which requires either a pressure-tight or liquid-tight venting system. Gas vents are to be installed and used in accordance with applicable National, Regional, State, and / or local codes. Check with local authority having jurisdiction for code requirements in your area. [Ex. - CAN/CGA B149 (Canada); ANSI Z223.1 / NFPA 54-National Fuel Gas Code, International Fuel Gas Code, National Mechanical Code, Basic Mechanical Code, Standard Mechanical Code, etc. (portions of USA)].

**A NOTICE SHOULD BE POSTED** near the point where the Gas Vent is connected to the appliance, with the following wording: "Connect this Gas Vent only to gas burning appliances, as indicated in the Installation Instructions. Do not connect to incinerators, or liquid or solid fuel burning appliances."

#### CLEARANCE AND ENCLOSURES

All Selkirk, Inc. Type B Gas Vent pipe 24-inch (610mm) and less is installed with the specified MINIMUM AIRSPACE CLEARANCE TO COMBUSTIBLES. Oval gas vent may be installed either at 1" (25.4mm) airspace clearance to combustibles or within certain minimum studspaces as specified in the table portion of Fig. 1. These clearances, which are marked on all gas carrying items, apply to indoor or outdoor vents whether they are open, enclosed, horizontal or vertical, or pass through floors, walls, roofs or furred-out spaces. The appropriate clearance should be observed to joists, studs, subfloors, plywood, drywall, or plaster enclosures, insulating sheathing, rafters, roofing and any other materials classed as combustible. Selkirk, Inc. gas vents may be installed either in the open or fully enclosed. NOTE: Type B Gas Vents are recommended to be installed within the heated portion of the structure whenever possible. In order for this gas vent to vent properly, the system must be sized and installed appropriately for the application. Exterior vents in cold climate areas are not recommended as they are prone to sustaining excessive condensation of moisture which could lead to ice build-up and poor draft. Unless local code specifies otherwise, there is no need to enclose Selkirk, Inc. gas vents where used as connectors under floors, in crawl spaces and basements, or in normally unoccupied or inaccessible attics. Enclosing the vertical portions of vents is recommended where they pass through rooms, closets, halls or other occupied spaces. Except for single and two-

# Gas Vent

## 4, 5, 5/6 Oval

### Installation Instructions

family dwellings, gas vents which extend through any story that on which the connected appliance is located are to be provided with enclosures having a fire resistance rating equal to or greater than that of the floor assemblies through which they pass.

#### AIR SUPPLY

Gas appliances must have adequate air for combustion, vent operation, and ventilation. Where infiltration is inadequate, as in tight buildings, or when appliances are in small rooms, special provisions for bringing in outdoor air are necessary. Consideration must be given to climate in choice of the air supply method. Consult local code / authority having jurisdiction for air supply requirements in your area.

#### CAPACITY

4 and 5 Type B ovals have equivalent vent capacity to 4" (100mm) and 5" (125mm) round Type B gas vents. 5/6 oval has equivalent capacity to 6" (150mm) round Type B gas vent. Type BW vent capacity is as indicated in section entitled "TYPE BW GAS VENTS, SINGLE AND MULTI-STORY".

#### OVAL FITTINGS

Selkirk, Inc. manufactures a complete line of fittings for the oval gas vent systems, including round to oval and oval to round transitions, oval elbows, tees, firestops, flashings, storm collars and rain caps, making it possible to install a complete oval system or a combination round and oval system.

#### TERMINATION

Selkirk, Inc. oval gas vents may be terminated in two ways. 4 and 5/6 oval may be terminated with an oval top with Fastloc slot for direct attachment to the top section of oval vent. 4, 5 and 5/6 oval may also be terminated by using an oval to round transition, optional section (S) of round vent and a 4, 5 or 6 (respectively) Selkirk, Inc. Round Top.

#### ADDITIONAL INSTRUCTIONS

The following instructions are for installing oval gas vent within walls. For further detailed instructions relative to installation of Selkirk, Inc. Oval and Round gas vent systems (including considerations on air supply, gas vent height, flashings, vent terminations, top installations, checking vent operation and painting), refer to the installation instructions supplied with the termination cap. These considerations apply to round, oval and combination round/oval vent system installations. NOTE: Approval of this gas vent system is based upon the use of parts supplied by Selkirk. The performance of the assembly may be affected if the combination of these parts is not used in actual building construction.

#### 5 OVAL AND 5/6 OVAL GAS VENTS

Installation of 5 Oval and 5/6 Oval Selkirk, Inc. Gas Vents is Type B only (similar to round). When used inside a wall, the studs must be 4-inch (100mm) nominal width (actual dimension 3-1/2"(89mm)) for 5 Oval and 6-inch (150mm) nominal width (actual dimension 5-1/2"(140mm)) for 5/6 Oval, to obtain the required clearance. If not used within stud wall, minimum airspace to combustibles is 1" inch (25mm). 5 Oval and 5/6 Oval are not listed for Type B-W use on recessed wall furnaces.

The following installation methods may be used for Selkirk, Inc.'s 4 and 5 Oval as follows:

1. Type BW installation-single story-for wall furnaces (or recessed heaters) only. (4 Oval only)
2. Type BW installation-multi-story-for wall furnaces (or recessed heaters) only. (4 Oval only)
3. Type B in 2 x 4 (50mm x 100mm) stud walls for use with gas appliances other than wall furnaces such as water heaters, boilers, furnaces, room heaters, etc. or any other gas appliances which can use Type B venting. (4 and 5 Oval)
4. Type B at one inch clearance to combustibles for use with any gas appliance which can use Type B venting. (same appliances as Method 3) (4 and 5 Oval)

## Installation of 4 Oval as Type B-W and 4, 5, and 5/6 Oval as Type B Gas Vents

#### TYPE BW GAS VENTS, SINGLE AND MULTI-STORY

(Methods 1 and 2) (applies to 4 Oval only)

Maximum input to a vented wall furnace is 85,000 BTU/Hr (24.91kw) for single story and 65,000 BTU/Hr (19.05kw) for multi-story installations. Single story TYPE B-W gas vents using Selkirk, Inc. require No. 4FW31 BASE PLATE and the No. 4FW28 CEILING PLATE SPACERS. Multi-story TYPE B-W gas vents require the No. 4FW31 BASE PLATE, the No. 4FW28 CEILING PLATE SPACERS at the first ceiling, and the No. 4FT29 FIRESTOP-SPACERS at each successive ceiling level. Stud space around vent must be free of obstructions and building paper. Be sure to follow the heater manufacturer's instructions carefully.

1. Use a Selkirk, Inc. Type B-W Installation Kit. Install the header plate furnished with the wall furnace or recessed heater. Cut out the ceiling plate for the full distance between the two studs. Nail one ceiling plate spacer as shown. Select the proper length of gas vent to extend from the header plate to at least 6" (152.4mm) above the ceiling plate. Fig. A.
2. Attach base plate to vent pipe, securing with screws on each side of pipe. Fig. B.
3. Attach base plate to header plate with sheet metal screws at each end. Nail other ceiling plate spacer to ceiling plate. Adjust spacer lugs to center vent in the stud space. Continue vent system of single story installation through attic and roof using either oval or round Selkirk, Inc. Type B gas vent pipe and fittings. Maintain 1" (25.4mm) clearance from combustible construction above the ceiling plate. A minimum installation height of 12' (3.66m) is required for correct venting. Fig. C.
4. For multi-story building install Firestop-Spacers at each ceiling plate above the first floor. Nail one Firestop-Spacer to plate as shown. Install Selkirk, Inc. vent pipe in stud space to a point above ceiling plate. Nail other Firestop-Spacer to stud to close opening through wall. Install Firestop Spacers at ceiling plates of each additional floor or story. Fig. D.

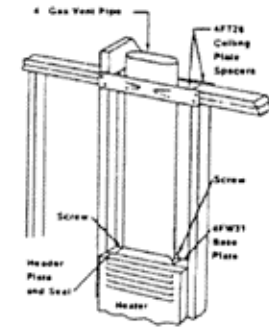
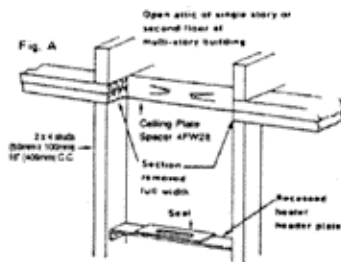


Fig. C

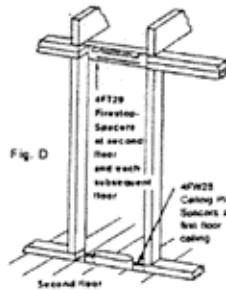
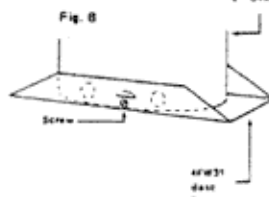


Fig. D

### TYPE B GAS VENTS IN 2x4 (50mm x 100mm) INCH STUD WALLS (Method 3) (applies to 4 and 5 Ovals)

1. Choose stud space where vent is to be installed. Cut away floor and ceiling plates and any internal blocking to leave a clear passageway 14-1/2 inches long (368mm) by the full stud space width of 3-1/2 inches (89mm) inches. Fig. E.
2. Install one Firestop-Spacer at the floor level and one at the ceiling plate level, and install the vent in the stud space making certain that every joint is securely locked. Locate ceiling and attic firestops so as to prevent insulation from filling space around vent. Fig. F.
3. Install the remaining Firestop-Spacers to close the openings between the vent and the structure. Fig. G.
4. The vent may be continued through any number of upper floors in this manner using one pair of 4FT29 (for 4 Oval) or 5WVFS (for 5 Oval) Firestop-Spacers at each level.

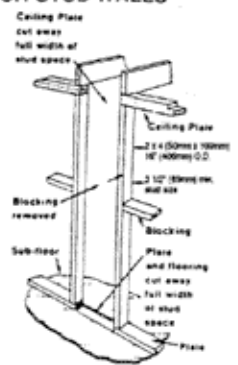


Fig. E  
Cut away plates and flooring

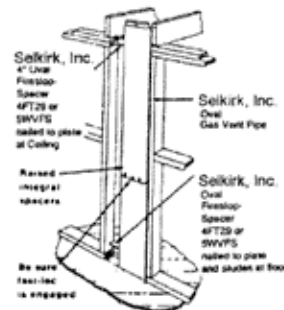


Fig. F  
Half of each Firestop-Spacer with vent

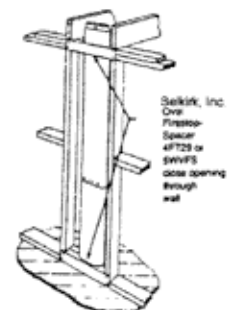


Fig. G  
Completed installation

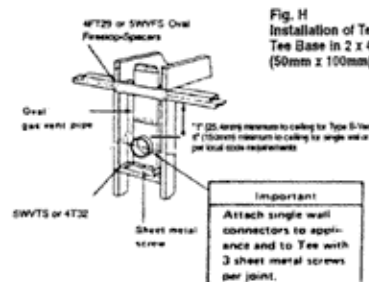


Fig. H  
Installation of Tee and Tee Base in 2 x 4 (50mm x 100mm) stud wall

**Always use silicone sealant to nail heads, flashing snout and storm collar**  
**For longer installation life, all exterior metal parts should be painted.**

## LIFETIME WARRANTY

**LIMITED LIFETIME WARRANTY:** Selkirk Inc. ("Selkirk", "we", "us", "our") warrants to the original purchaser/consumer that Metalbestos Model: SSII, DS Smoke, SGPlus, VP Type L Vent, Type B Gas Vent, SW, SWI, DWI and DWI products are to be free from defects in material and workmanship for the life of the product when properly connected to an applicable appliance listed by an accredited safety certification agency and installed in accordance with our installation instructions and specifications.

- For products installed after January 1, 2000, for a period of Ten (10) years from original installation, we will provide replacement product to the original consumer for the product proven defective with a similar or like quantity of available Selkirk Inc. product, free of charge.
- From the Eleventh (11) through Fifteenth (15) years we will provide replacement product to the original consumer at a cost of 75% off of the published Retail Price in effect on the date the claim is received.
- At expiration of the Fifteen (15) year term, we will provide replacement product to the original consumer at a cost of 50% off of the published Retail Price in effect on the date the claim is received.

**WARNING:** FAILURE TO INSTALL SELKIRK PRODUCTS ACCORDING TO THE MANUFACTURER'S INSTRUCTIONS WILL VOID ALL APPLICABLE WARRANTIES AND MAY RESULT IN FIRE, CARBON MONOXIDE POISONING OR DEATH. SEE OUR SELKIRK INC. PRODUCTS INSTALLATION INSTRUCTIONS FOR COMPLETE INSTRUCTIONS. Call 800-992-8368 for a free copy.

WE DO NOT GUARANTEE OR IN ANY WAY WARRANT THE INSTALLATION OF SELKIRK PRODUCTS DUE TO THE WIDE VARIANCE IN INSTALLATION PRACTICES AND OTHER CONDITIONS BEYOND OUR CONTROL.

#### THIS LIMITED WARRANTY DOES NOT COVER:

- (a) costs (labor or otherwise) associated with either removing a previously installed product, installing a replacement product, transportation or return of a product, or transportation of replacement product;
- (b) damage to the finish of products caused by the use of improper solvents/chemicals or improper cleaning methods;
- (c) damage resulting from failure to reasonably clean, care for or maintain products in accordance with our installation instructions/recommendations;

(d) damage (to products, appliances or structure) based on or resulting from improper installation or repair, misuse or abuse (including, but not limited to, excessive or improper operating conditions), or alteration or adjustments other than in conformity with our installation instructions and specifications, whether performed by a contractor, service company, technician, or yourself;

- (e) any products that have been moved from their original installation site;
- (f) damage resulting when drilled, garbage, or any other prohibitive material has been burned in the appliance served by the chimney;
- (g) damage to your chimney that results from accidents such as fire, flood, high winds, "acts of God", or any other contingency beyond our control.

**CLAIM PROCEDURE:** If you believe that a product fails to meet the above limited warranty, notify us in writing at the following location:

SELKIRK, INC. Attn: WARRANTY CLAIMS DEPARTMENT  
 14801 Quorum Drive, Dallas, TX 75240  
 Fax: (877) 393-4145 Pk: (800) 992-8368

Notification should include a description of the product, model and part number and how the product fails to meet the above warranty. Upon receipt of a written claim under this limited warranty and evidence of the date of purchase or installation, at our option and in our sole discretion, we will either repair or replace the product with similar or like quantity of available Selkirk Inc. product per this warranty. Selkirk Inc. reserves the right to inspect or investigate any warranty claim prior to determining whether to repair or replace a product. If, as determined by Selkirk Inc., repair or replacement of the product is not commercially practicable or cannot be completed in a timely manner, we may return the greatest purchase price paid for the product upon verification by providing a copy of your invoice, receipt or bill of sale.

ANY IMPLIED WARRANTY OF MERCHANTABILITY OR FITNESS FOR A PARTICULAR PURPOSE IS LIMITED IN DURATION TO THE WARRANTY PERIOD SPECIFIED ABOVE. WE DISCLAIM ANY LIABILITY FOR CONSEQUENTIAL OR INCIDENTAL DAMAGES AND ANY LOSS OR EXPENSES, NOT SPECIFIED ABOVE. SOME STATES MAY NOT ALLOW THE EXCLUSION OR LIMITATION OF INCIDENTAL OR CONSEQUENTIAL DAMAGES, OR HOW LONG AN IMPLIED WARRANTY LASTS, SO THE ABOVE EXCLUSIONS OR LIMITATIONS MAY NOT APPLY TO YOU. THIS WARRANTY GIVES YOU SPECIFIC LEGAL RIGHTS AND YOU MAY ALSO HAVE LEGAL RIGHTS WHICH VARY FROM STATE TO STATE.

Metalbestos is the world's largest manufacturer of venting products and we back up our superior design with a Lifetime of security. Visit our web site at [www.selkirkinc.com](http://www.selkirkinc.com) to find out more about our complete product offering.

Please copy, fax or mail this form to:

Selkirk Inc., 14801 Quorum Drive, Dallas, Texas 75240 USA  
 Fax: 1-877-393-4145

NAME \_\_\_\_\_

STREET \_\_\_\_\_

CITY \_\_\_\_\_ STATE \_\_\_\_\_ ZIP \_\_\_\_\_

INSTALLATION DATE \_\_\_\_\_

PRODUCT TYPE  SSII  DS Smoke  SGPlus  DWC  SWC

VP Type L Vent  Type B Gas Vent  SW  SWII

TYPE OF INSTALLATION  VERTICAL  THRU-THE-WALL

LOCATED IN  HOME  VACATION HOME  OTHER

TYPE OF LISTED APPLIANCE CONNECTED TO \_\_\_\_\_

BRAND NAME OF APPLIANCE \_\_\_\_\_

STORE NAME \_\_\_\_\_ CITY \_\_\_\_\_ STATE \_\_\_\_\_



Selkirk Inc. gas vent parts are listed and produced under the Factory Acceptance and Follow-up program of Underwriters' Laboratories, Inc. carry the LISTING MARK illustrated here.



Refer to the main installation instructions for complete details about installing the vent system. The main installation instructions are packaged with the Top or can be obtained by calling one of the telephone numbers listed at the bottom of this sheet.

USE:

### ⚠ WARNING

Failure to follow the installation instructions could cause FIRE, CARBON MONOXIDE POISONING, OR DEATH. If you are unsure of installation requirements, call the Phone Number listed on the instructions or sizing handbook.

The WALL SUPPORT/BAND (enclosed) is a combined wall support and wall band. This device has been tested and Listed for use in supporting up to 35 ft. of vertical Selkirk, Inc. Type B gas vent and establishes the proper 1" clearance to the wall to which it is attached. The assembly may also be used to provide lateral (sideways) support for long vertical runs of vent running along a wall.

#### TO INSTALL AS WALL BAND: (USE AT MAXIMUM 8' SPACINGS)

After determining and marking the location at which the assembly will be used, slip a vent section through the band and clamp loosely in place using the bolt and nut provided. Rotate the bracket toward the wall and place at intended location. Mark the locations for the screws which will attach the assembly to the wall. Pre-drill the holes (if necessary) and attach the assembly using the four #10 wood screws provided. Secure (clamp) the band around the vent by tightening the screw and nut, preventing further rotation. Add lengths of vent and additional wall supports/band as necessary to complete installation.

#### TO INSTALL AS WALL SUPPORT: (FOR SUPPORTING A MAXIMUM OF 35' VENT)

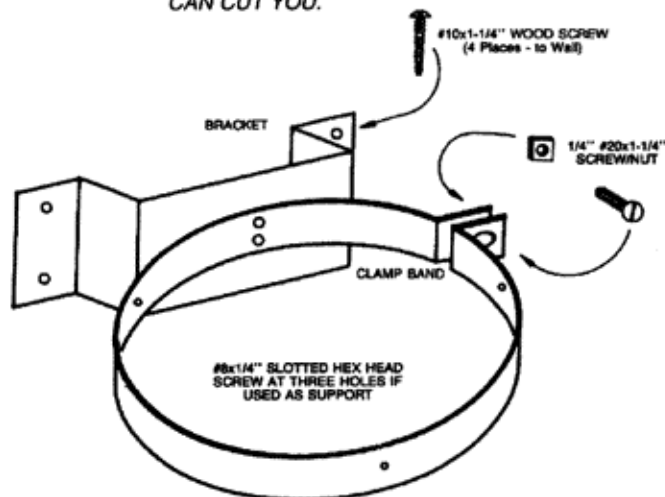
When the assembly is being used as a vertical support (in addition to a wall band offering lateral support), the additional 1/4" hex head screws should be used to further secure the assembly. To do so, first install the assembly as indicated above for a wall band, then, with a 1/16" drill bit, carefully drill holes through the outside of the vent section (ONLY), using the holes in the band as a guide. Complete the assembly by inserting the #8 x 1/4" hex head screws through the holes (2 screws for 3" through 6", 3 screws for 7" and 8" diameter vent) and tightening.

# Round Type B Gas Vent WALL SUPPORT/BAND ASSEMBLY Installation Instructions

NOTES: WHEN DRILLING OUTER WALL OF VENT BE CAREFUL TO DRILL THROUGH THE OUTER WALL ONLY, NOT THE INNER WALL.

REMEMBER TO MAINTAIN MINIMUM 1" AIRSPACE CLEARANCE TO COMBUSTIBLES FROM THE OUTSIDE OF THE VENT.

CAUTION: WEAR GLOVES WHILE HANDLING METAL PARTS TO AVOID PERSONAL INJURY, SHARP EDGES OR PROJECTIONS CAN CUT YOU.



WALL BAND/SUPPORT ASSEMBLY

## LIFETIME WARRANTY

**LIMITED LIFETIME WARRANTY:** Selkirk Inc. ("Selkirk," "we," "us," "our") warrants to the original purchaser/consumer that Metalbestos Model: SSII, DS Smoke, SGPlus, VP Type L Vent, Type B Gas Vent, SW SWII, DWC and SWC products are to be free from defects in material and workmanship for the life of the product when properly connected to an applicable appliance listed by an accredited safety certification agency and installed in accordance with our installation instructions and specifications.

- For products installed after January 1, 2000, for a period of Ten (10) years from original installation, we will provide replacement product to the original consumer at a cost of 75% off of the published Retail Price in effect on the date the claim is received.
- From the Eleventh (11) through Fifteenth (15) years we will provide replacement product to the original consumer at a cost of 50% off of the published Retail Price in effect on the date the claim is received.
- At expiration of the Fifteen (15) year term, we will provide replacement product to the original consumer at a cost of 50% off of the published Retail Price in effect on the date the claim is received.

**WARNING:** FAILURE TO INSTALL SELKIRK PRODUCTS ACCORDING TO THE MANUFACTURER'S INSTRUCTIONS WILL VOID ALL APPLICABLE WARRANTIES AND MAY RESULT IN FIRE, CARBON MONOXIDE POISONING OR DEATH. SEE OUR SELKIRK INC. PRODUCTS INSTALLATION INSTRUCTIONS FOR COMPLETE INSTRUCTIONS. Call 800-992-8368 for a free copy.

WE DO NOT GUARANTEE OR IN ANY WAY WARRANT THE INSTALLATION OF SELKIRK PRODUCTS DUE TO THE WIDE VARIANCE IN INSTALLATION PRACTICES AND OTHER CONDITIONS BEYOND OUR CONTROL.

#### THIS LIMITED WARRANTY DOES NOT COVER:

- (a) costs (labor or otherwise) associated with either removing a previously installed vent, installing a replacement product, transportation or return of a product, or reparation of replacement product;
- (b) damage to the finish of products caused by the use of improper solvents/chemicals or improper cleaning methods;
- (c) damage resulting from failure to reasonably clean, care for or maintain products in accordance with our installation instructions/recommendations;

(d) damage (to products, appliances or structure) based on or resulting from improper installation or repair, misuse or abuse (including, but not limited to, excessive or improper operating conditions), or alteration or adjustments other than in conformity with our installation instructions and specifications, whether performed by a contractor, service company, technician, or yourself;

- (e) any products that have been moved from their original installation site;
- (f) damage resulting when driftwood, garbage, or any other prohibitive material has been burned in the appliance served by the chimney;
- (g) damage to your chimney that results from accidents such as fire, flood, high winds, "acts of God", or any other contingency beyond our control.

**CLAIM PROCEDURE:** If you believe that a product fails to meet the above limited warranty, notify us in writing at the following location:

SELKIRK, INC. Attn: WARRANTY CLAIMS DEPARTMENT  
14801 Quorum Drive, Dallas, TX 75240  
Fax: (877) 993-4145 Ph: (800) 992-8368

Notification should include a description of the product, model and part number and how the product fails to meet the above warranty. Upon receipt of a written claim under this limited warranty and evidence of the date of purchase or installation, at our option and in our sole discretion, we will either repair or replace the product with similar or like quantity of available Selkirk Inc. product per this warranty. Selkirk Inc. reserves the right to inspect or investigate any warranty claims prior to determining whether to repair or replace a product. If, as determined by Selkirk Inc., repair or replacement of the product is not commercially practicable or cannot be completed in a timely manner, we may refund the pro-rated purchase price paid for the product upon verification by providing a copy of your invoice, receipt of bill of sale.

ANY IMPLIED WARRANTY OF MERCHANTABILITY OR FITNESS FOR A PARTICULAR PURPOSE IS LIMITED IN DURATION TO THE WARRANTY PERIOD SPECIFIED ABOVE. WE DISCLAIM ANY LIABILITY FOR CONSEQUENTIAL OR INCIDENTAL DAMAGES AND ANY LOSS OR EXPENSES, NOT SPECIFIED ABOVE. SOME STATES MAY NOT ALLOW THE EXCLUSION OR LIMITATION OF INCIDENTAL OR CONSEQUENTIAL DAMAGES, OR HOW LONG AN IMPLIED WARRANTY LASTS. SO THE ABOVE EXCLUSIONS OR LIMITATIONS MAY NOT APPLY TO YOU. THIS WARRANTY GIVES YOU SPECIFIC LEGAL RIGHTS AND YOU MAY ALSO HAVE LEGAL RIGHTS WHICH VARY FROM STATE TO STATE.

Metalbestos is the world's largest manufacturer of venting products and we back up our superior design with a Lifetime of security. Visit our web site at [www.selkirkinc.com](http://www.selkirkinc.com) to find out more about our complete product offering.

Please copy, fax or mail this form to:

Selkirk Inc., 14801 Quorum Drive, Dallas, Texas 75240 USA  
Fax: 1-877-393-4145

NAME \_\_\_\_\_  
STREET \_\_\_\_\_  
CITY \_\_\_\_\_ STATE \_\_\_\_\_ ZIP \_\_\_\_\_  
INSTALLATION DATE \_\_\_\_\_  
PRODUCT TYPE  SSII  DS Smoke  SGPlus  DWC  SWC  
 VP Type L Vent  Type B Gas Vent  SW  SWII  
TYPE OF INSTALLATION  VERTICAL  THRU-THE-WALL  
LOCATED IN  HOME  VACATION HOME  OTHER  
TYPE OF LISTED APPLIANCE CONNECTED TO \_\_\_\_\_  
BRAND NAME OF APPLIANCE \_\_\_\_\_  
STORE NAME \_\_\_\_\_ CITY \_\_\_\_\_ STATE \_\_\_\_\_

14801 QUORUM DRIVE DALLAS, TX 75240 (800) 992-8368  
Nampa, Idaho Factory 208-467-7411 Logan, Ohio Factory 740-385-5666

